

STARTING  
SERIAL # 191110318



## ADDENDUM TO PARTS LIST MANUAL



### PROPANE MODEL CPM8-10P SKU # 72600

#### TABLE OF CONTENTS

ILLUSTRATION 1: PROPANE ENGINE GROUPING. . . . PAGES 2, 3  
ILLUSTRATION 2: PROPANE TANK GROUING . . . . . PAGES 4, 5

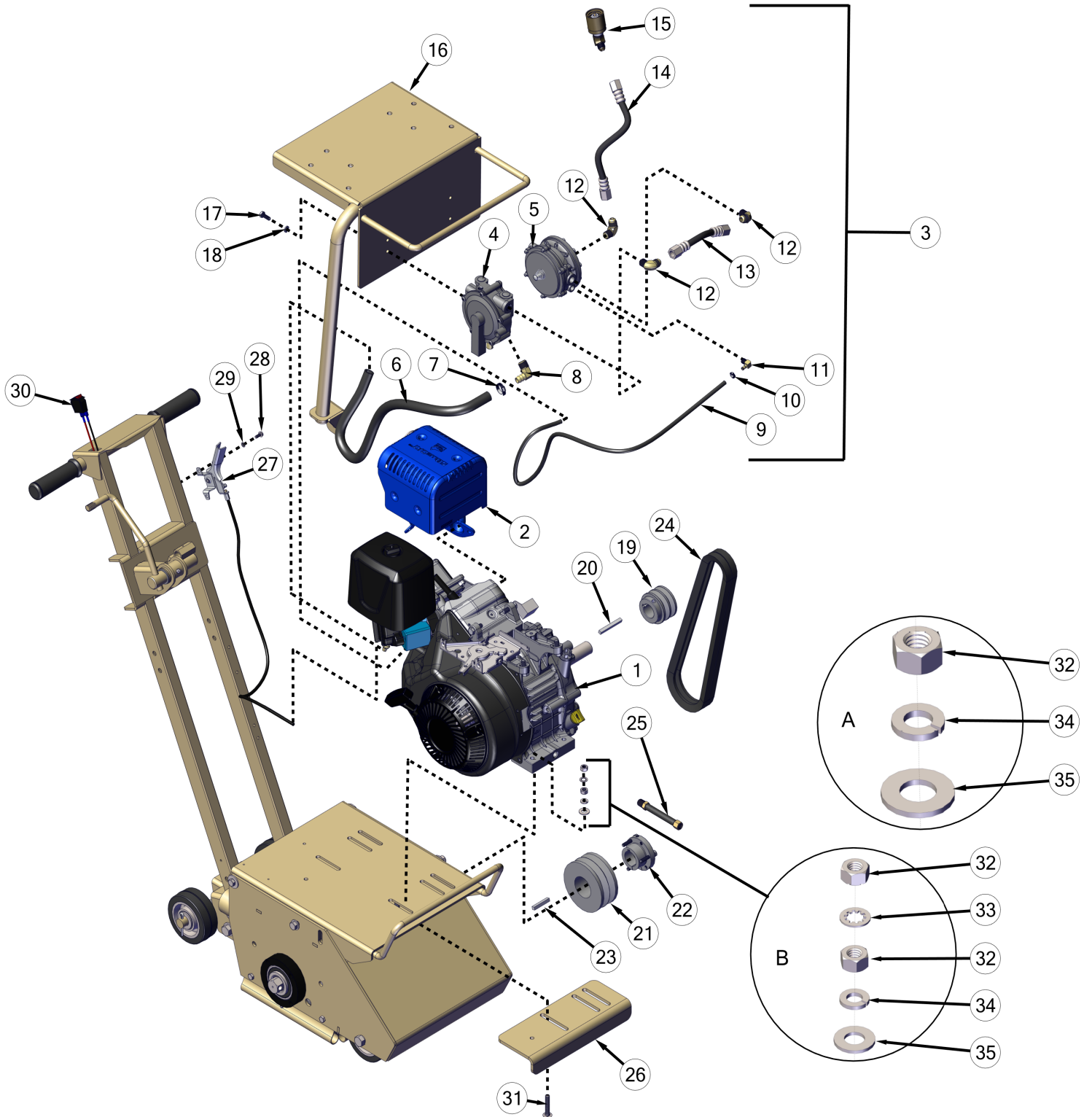


**EQUIPMENT DEVELOPMENT COMPANY, INC.**  
100 Thomas Johnson Drive, Frederick, MD 21702-4600 USA  
Phone: 800-638-3326 or 301-663-1600 • Fax: 800-447-3326 or 301-663-1607  
Website: [www.edcoinc.com](http://www.edcoinc.com) • E-mail: [techsupport@edcoinc.com](mailto:techsupport@edcoinc.com)

Printed in USA  
JWA ©2021

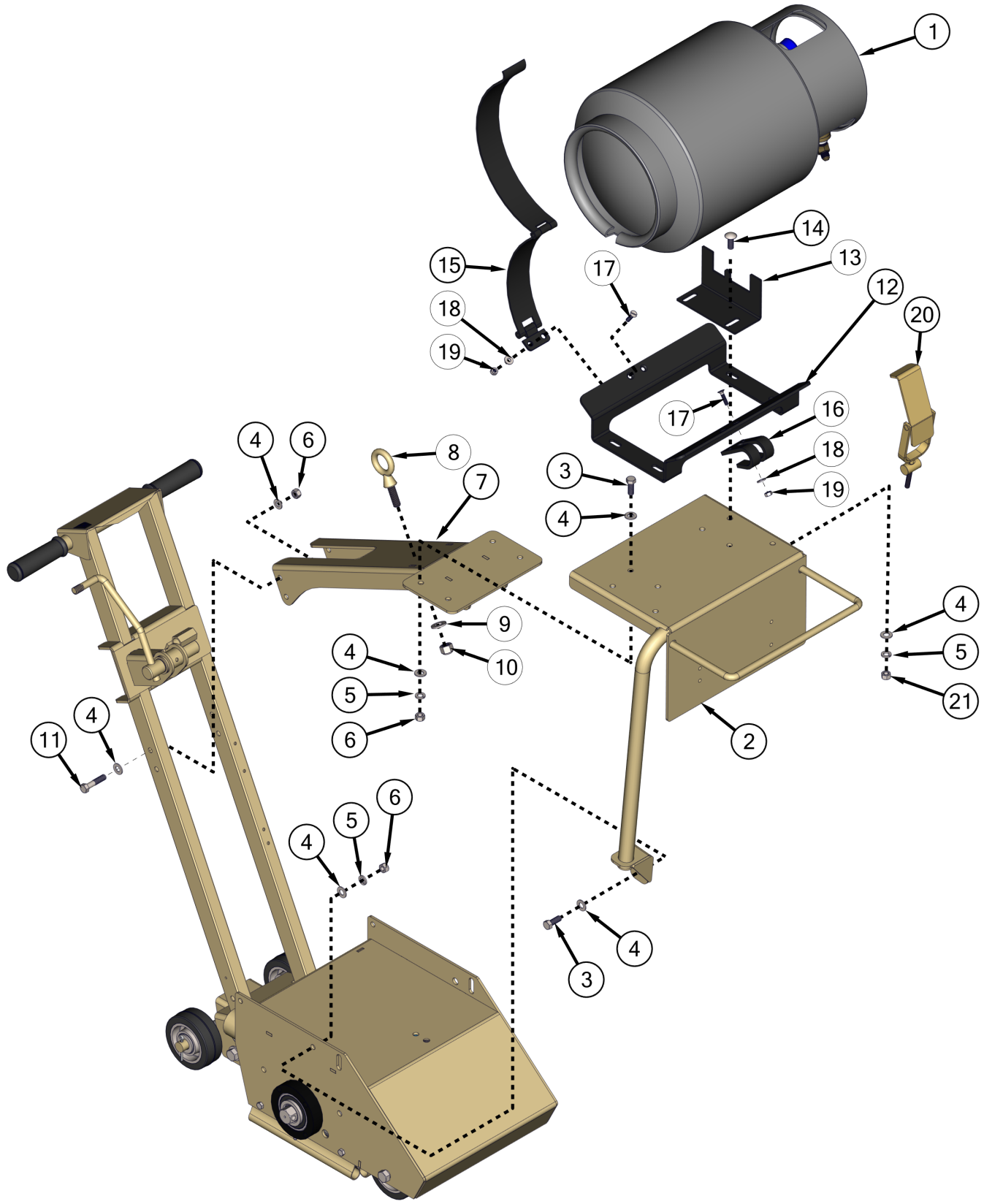
# MODEL CPM8-10P

## ILLUSTRATION 1: PROPANE ENGINE GROUPING



<b>PARTS LISTING - ILLUSTRATION 1: PROPANE ENGINE GROUPING</b>			
ITEM #	PART #	DESCRIPTION	QTY.
1	15095	ENGINE, 305CC VANGUARD PULL START	1
2	15095-1	MUFFLER, CATALYTIC BRIGGS 305CC	1
3	15095-2	KIT, FUEL CONVERSION 305CC (INCLUDES ITEMS 4 -15)	1
4	15095-5	REGULATOR	1
5	15095-6	VACUUM FUEL LOCK OFF	1
6	15095-7	PROPANE FUEL HOSE - LP 1/2 X 30"	1
7	15095-8	CLAMP, LP HOSE	2
8	15095-9	BARB ELBOW 90, 1/2" LP HOSE	1
9	15095-10	HOSE, VACUUM 3/16"ID X 36"L	1
10	15095-11	CLAMP, VACUUM HOSE	2
11	15095-12	BARB ELBOW 90, 3/16"HOSE X 1/8NPT	1
12	15095-13	BRASS FITTING 90° 3/8JIC X 1/4NPT	3
13	15095-14	PROPANE HOSE - HIGH PRESSURE 6"	1
14	15095-15	PROPANE HOSE - HIGH PRESSURE 12"	1
15	15095-3	QUICK-DISCONNECT 1-1/4 LH ACME	1
	15095-4	BRASS FITTING 45° 3/8JIC X 1/4NPT	1
16	100420	PROPANE DECK, CPM8	1
17, 18	N/A	HARDWARE INCLUDED W/ ITEMS 4 & 5	4
19	10553	SHEAVE 2.5"OD X 2GR.A X 1"BORE	4
20	10307	KEY 1/4SQ X 2-1/4	4
21	65045	SHEAVE 4.05"OD X 2GR.A X SH	1
22	10505	BUSHING, SHEAVE SH X 1-1/4"BORE	1
23	40317	KEY 1/4SQ X 1-5/8	1
24	10249	BELT AX-31	3
25	100529	OIL DRAIN KIT, 1/4-18 MIP-1.5 X 4-1/4"	1
26	100484	PLATE, ENGINE REINFORCING (REAR)	1
27	3611	CABLE, THROTTLE, LEVER-TYPE 54"	1
28	10877	SCREW, CAP STSHW 10-24 X 1/2	2
29	10831	WASHER, LOCK, INT. TOOTH #10	2
30	15201A	SWITCH W/ WIRES, ROCKER RED ON-OFF ADDITIONAL ITEMS REQ'D. (NOT SHOWN):	1
	10968	TERM., RING 5/16 16-14GA. INSULATED	1
	10970	CONN., WIRE QUICK-SPLICE 18-14 GA.	1
	36042	ADHESIVE CORD CLIP 5/8"SQ.	2
31	10918	BOLT, CARRIAGE 5/16-18 X 1-3/4 (2 USED TO FASTEN ITEM 26, USE DETAIL A) (1 USED TO GROUND WIRE FROM ITEM 30, USE DETAIL B)	3
	10817	BOLT, CARRIAGE 5/16-18 X 1-1/2 F.T. (USE DETAIL A)	1
32	10054	NUT, HEX 5/16-18 ZINC	5
33	10452	WASHER, LOCK, INT. TOOTH 5/16"	1
34	10801	WASHER, LOCK 5/16 ZINC	4
35	10025	WASHER, FLAT 3/8 SAE ZINC (DETAIL A)	3
	10213	WASHER, FLAT 5/16 SAE ZINC (DETAIL B)	1

ILLUSTRATION 2: PROPANE TANK GROUPING



<b>PARTS LISTING - ILLUSTRATION 2: PROPANE TANK GROUPING</b>			
<b>ITEM #</b>	<b>PART #</b>	<b>DESCRIPTION</b>	<b>QTY.</b>
1	15099	PROPANE TANK 20LB. VAPOR	1
2	100420	PROPANE DECK, CPM8	1
3	10021	SCREW, CAP 3/8-24 X 1	5
4	10025	WASHER, FLAT 3/8 SAE ZINC	18
5	10811	WASHER, LOCK 3/8 ZINC	9
6	10058	NUT, HEX LOCK 3/8-24 W/ NYLON PATCH	4
7	100419	PROPANE DECK SUPPORT, CPM8	1
8	10837	BOLT, EYE 1/2-13 X 1-1/2 X 1-1/8"ID	1
9	10312	WASHER, FLAT 1/2 SAE ZINC	1
10	10155	NUT, HEX NYLON LOCK 1/2-13 ZINC	1
11	10029	SCREW, CAP 3/8-24 X 1-3/4	4
12	100399	PROPANE TANK CRADLE BRACKET	1
13	100400	PROPANE TANK LOCATOR BRACKET	1
14	10320	BOLT, CARRIAGE 3/8-16 X 1-1/4	4
15	77061-2	PROPANE TANK STRAP W/ HINGE	1
16	77061-3	PROPANE TANK CLAW BRACKET	1
17	11661	SCREW, FLAT HD SLT 1/4-20 X 1	4
18	10602	WASHER, FLAT 1/4 SAE ZINC	4
19	10861	NUT, KEPS LOCK 1/4-20 ZINC	4
20	77061-4	PROPANE TANK TOGGLE CLAMP	1
21	10404	NUT, HEX 3/8-16 ZINC	4